

SPECIFICATIONS

Mechanical

Mating Force: 4.5Pounds max.
Unmating Force: 4.5Pounds max.
Durability: 1000 Cycles

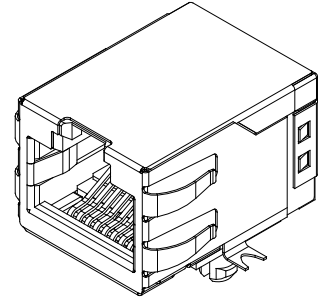
Electrical

Current Rating: 1.5A max.
Dielectric Withstanding Voltage: 1500VAC

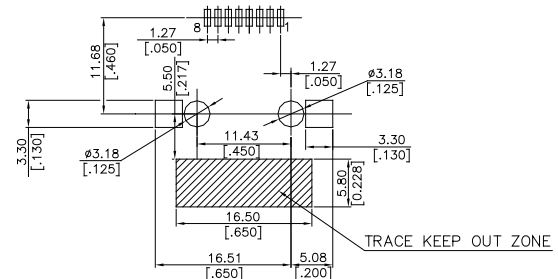
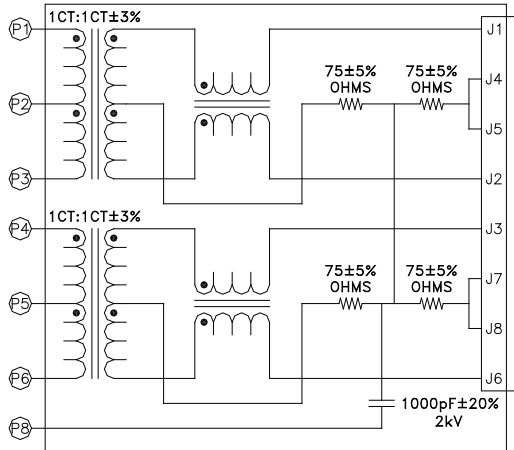
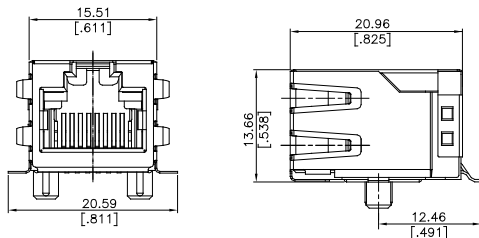
Physical

Housing: Thermoplastic, UL94V-0 rated in Black Color
Contact: Phosphor Bronze
Shell: Brass Alloy
Operating Temperature: -40°C to +85°C

JFM Series
RJ45 1X1
T/U, SMT Type
1.27mm [.050"] Pitch,
10/100 Base-T



DRAWING



RECOMMENDED PCB LAYOUT

ORDERING INFORMATION

PRODUCT NO. : JFM 2 4 3 2 0 - 010H - 4 F

SERIES PREFIX: JFM = RJ WITH MAGNETIC
 PROTOCOL TYPE: 2 = 10/100 BASE T
 CORE COUNT: 4 = 4-CORE
 CONFIGURATION: 3 = 1X1 T/U
 W / 4 SHIELD TABS
 (SIDE TO SIDE TABS)

F = LEAD FREE
 PACKAGE TYPE
 4 = SOFT TRAY
 EXTENSION CODE
 LEDs:
 0 = NONE
 PCB ATTACHMENT MI
 2 = SMT